



I-21/14/2025-W&M Section]
GOVERNMENT OF INDIA/भारत सरकार
MINISTRY OF CONSUMER AFFAIRS, FOOD AND PUBLIC DISTRIBUTION
उपभोक्ता मामले, खाद्य एवं सार्वजनिक वितरण मंत्रालय
DEPARTMENT OF CONSUMER AFFAIRS/ उपभोक्ता मामले विभाग
LEGAL METROLOGY DIVISION/ विधिक मापविज्ञान प्रभाग

Krishi Bhawan/कृषि भवन, नई दिल्ली
Dated/दिनांक:- 27 .02.2025

Certificate of Approval of Model/ मॉडल का अनुमोदन प्रमाणपत्र

Whereas the Central Government, after considering the report submitted to it by prescribed authority, is satisfied that the model described in the said report (see the figure given below) is in conformity with the provisions of the Legal Metrology Act, 2009 (1 of 2010) and the Legal Metrology (Approval of Models) Rules, 2011 and the said model is likely to maintain its accuracy over periods of sustained use and to render accurate service under varied conditions;

Now, therefore, in exercise of the powers conferred by section 22 of the Legal Metrology Act, 2009 (1 of 2010) read with sub-rule (6) of rule 8 and sub-rule (4) of rule 11 of the Legal Metrology (Approval of Models) Rules, 2011, as per OIML R 50, the Central Government hereby issues the certificate of approval of the model of Continuous Totalizing Automatic Weighing Instruments (Belt Weigher) with accuracy class-1 of series "WEIGHTOMETER-DIGITAL LOADCELL" and with brand name " Sri Durga Engineering Works " (hereafter in this notification referred to as the said model), manufactured by M/s. SRI DURGA ENGINEERING WORKS, Near Sri Durgamma Temple, Yerrithata Colony, Ballari-583 123 and which is assigned the approval mark IND/09/25/ 54 (the picture of the model is given below as Figure 1);

Technical Data:

Working Principle	Electronic and load cell based
Procedure Adopted	OIML R-50
Maximum capacity	500 kg
Totalization scale interval (d)	1 kg
Accuracy Class	1
Maximum capacity of the weighing module	500kg
Minimum capacity of the weighing module	100kg
Maximum load per unit length of the belt	166.7 kg/m
Size of the belt weigher/weighing zone	3m
Maximum Flow Rate (Qmax)	2000t/h
Minimum Flow Rate(Qmin)	400t/h
Minimum Totalized Load (Σ min)	40t
Belt speed	0.5m/s – 5m/s
Load Cell details	Make: Esskay; Model: EBG-A[D]; Accuracy Class : C ; Maximum capacity : 300kg×6 No. ; Type Single ended shear beam strain gauge type digital load cell
Type of Display	TFT LCD
Power	230 V AC, 50Hz



Figure 1

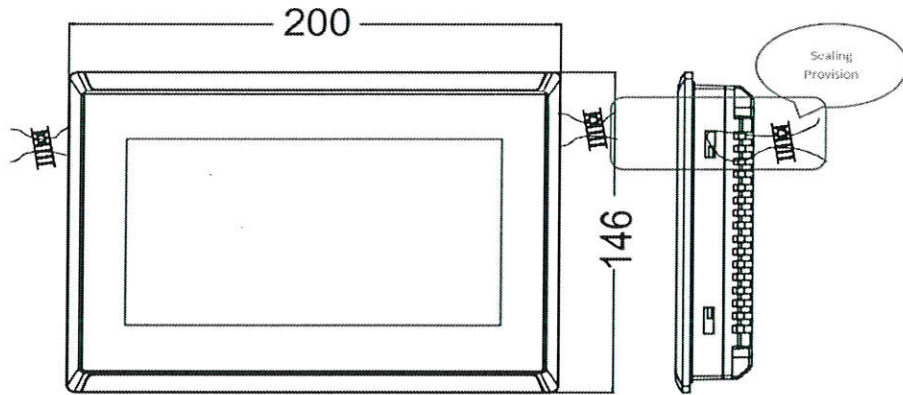
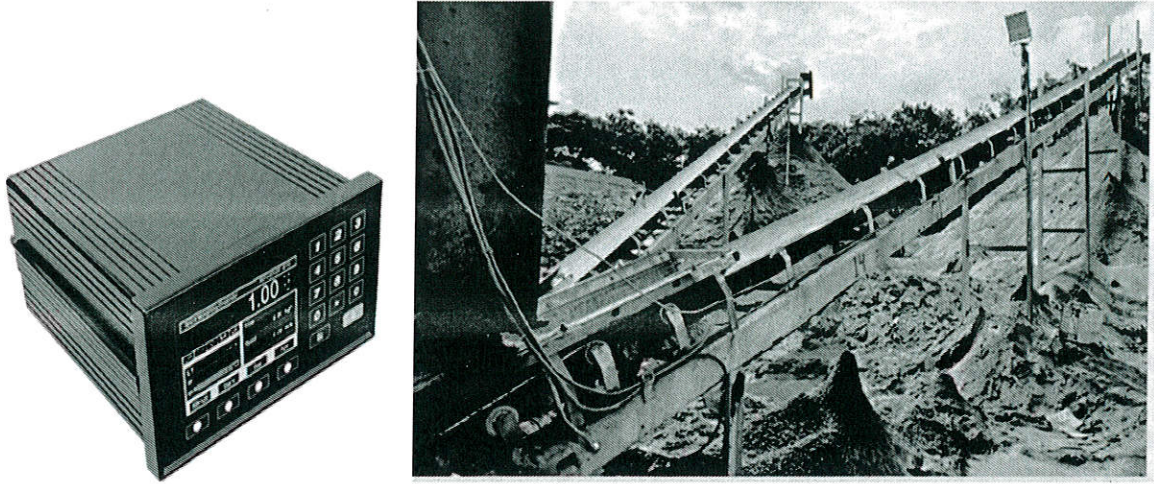


Figure 2

Sealing is done by passing the sealing wire through the holes provided on both side of indicator (a typical schematic diagram of sealing provision to prevent the fraudulent practices of the model is given above as Figure 2).A dip switch has also been provided in mother board to disable access to external calibration.

Further, in exercise of the power conferred by sub-rule (9) of rule 8 of the Legal Metrology (Approval of Models) Rules, 2011, the Central Government hereby declares that this certificate of approval of the said model shall also cover the weighing instruments of similar make, accuracy and performance of same series with capacities upto 5000 t/h manufactured by the same manufacturer in accordance with the same principle, design and with the same materials with which, the said approved model has been manufactured.

[F.No. I-21/14/2025-W&M Section]

(Signature)

Director (Legal Metrology) to Govt. of India/ निदेशक (विधिक माप विज्ञान) भारत सरकार
(Ashutosh Agarwal/आशुतोष अग्रवाल)
Phone/दूरभाष 01123389489
Email/ई-मेल: dirwm-ca@nic.in